

EXTERNAL HEAVY-DUTY HINGE

180°



Heavy-duty rolled hinge for mounting with screws or rivets. Ideal for vehicles. The hinge-leaves are folded, allowing a flat surface mounting. Opening angle 180°. The hinge pin is fixed.



MATERIAL

Hinge: Steel, zinc plated

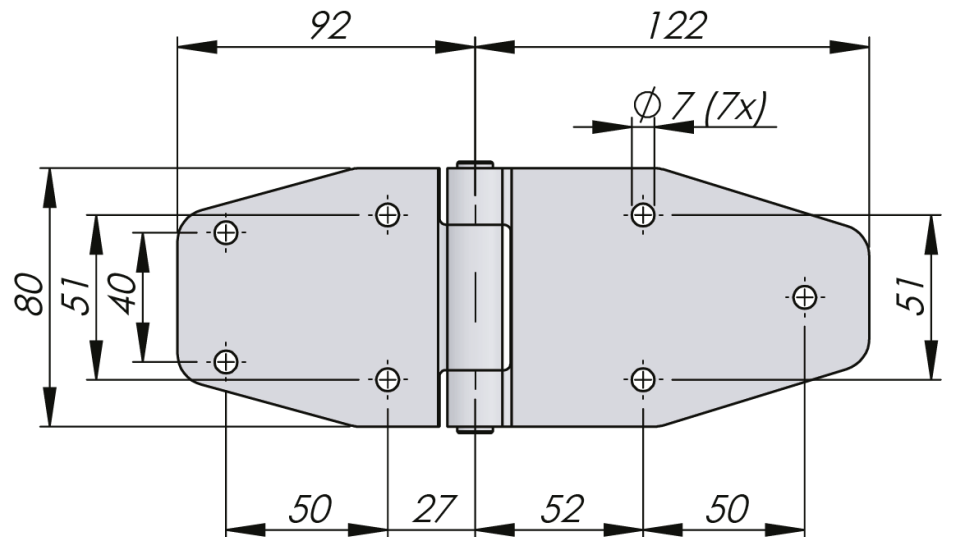
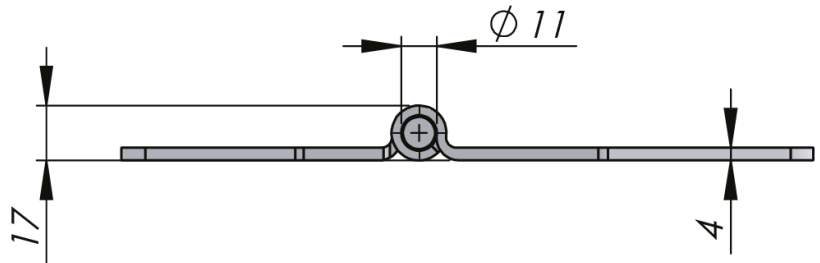
RELATED PRODUCTS

Other materials: 6-467

Use the Index Code at industrilas.com

TECHNICAL INFORMATION

Standards: DIN EN 61373



Industrilas
— When access counts —

P/N

322183-01

Material

Steel, zinc plated

Index Code: 3-687